



Standard - Made to Order

20-6mm GT

280EC9

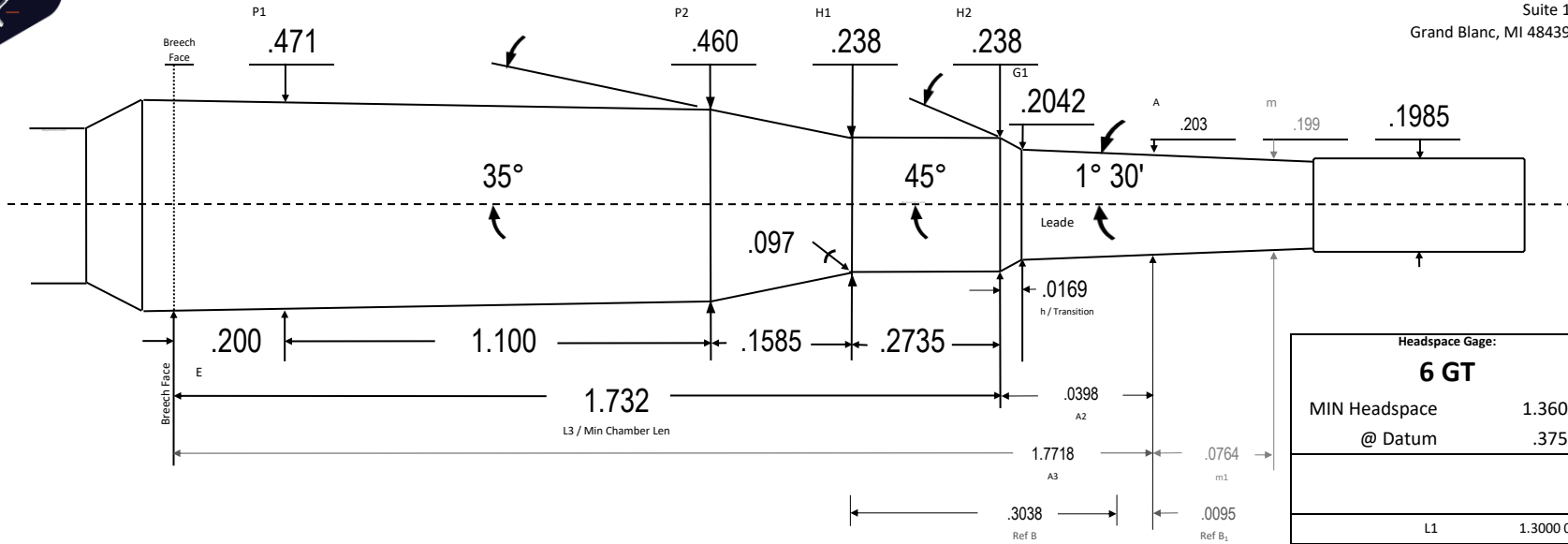
5/12/2022

Manson Reamers

Contact us at:
support@mansonreamers.com
(810) 953-0732

8200 Embury Rd
Suite 1
Grand Blanc, MI 48439

20-6mm GT



No neck turn with Alpha brass.

Max brass length 1.727

Headspace Gage:	
6 GT	
MIN Headspace	1.3607
@ Datum	.3750
L1	1.3000 04
L2	1.4585 28
A3+m1	1.8482 00
Body TPI	.0100 00
Breech Face Dia	.4730 00
~Chamber Vol in ³	.2378 85
Drawn:	Ray Gross
SD	2024.07.21
Template TT	V10.5 24.07.11
Dia Tolerance	+ .001/- .000
Length Tolerance	+ .005/- .000
Angle Tolerance	+/- 15'
Use Reamer Blank	0
Print is not to scale	



20-6mm GT

20-6mm GT