



33 Nosler

225B32

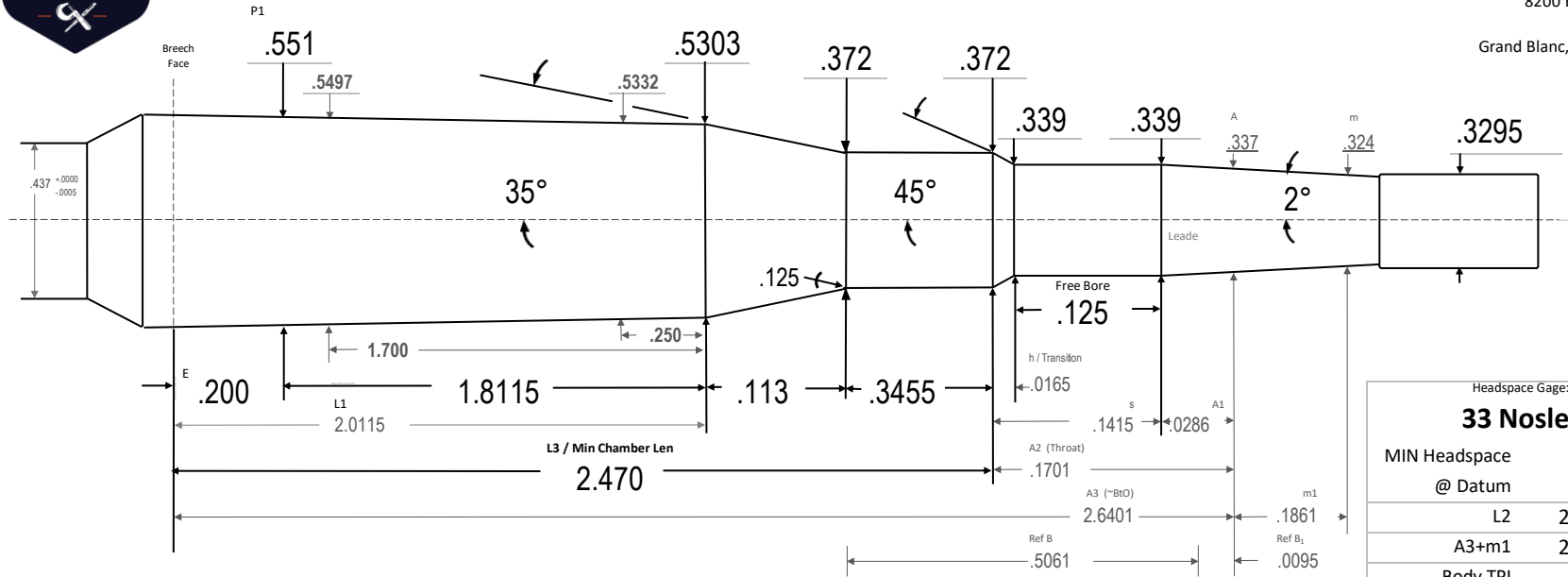
Standard

Manson Reamers

Contact us at:  
support@mansonreamers.com  
(810) 953-0732

8200 Embury Rd  
Suite 1  
Grand Blanc, MI 48439

33 Nosler



SAAMI 2015 vrfd 6/3/22rg, 5/2/23rg, 1/1/24rg

Headspace Gage:	
33 Nosler	
MIN Headspace	2.076
@ Datum	.440
L2	2.1245 57
A3+m1	2.8262 36
Body TPI	.0114 27
Breech Face Dia	.5532 85
~Chamber Vol in <sup>3</sup>	.4820 65
Drawn:	Ray Gross
(v23.3) Print Hash	225B32
Template PTL	V10 2023.12.28
SD	2024.01.01
Dia Tolerance	+ .001 / - .000
Length Tolerance	+ .005 / - .000
Angle Tolerance	+ / - 15'
Use Reamer Blank	338 RUM,
Print is not to scale	



33 Nosler

33 Nosler