



303 British Manson

5/30/2024

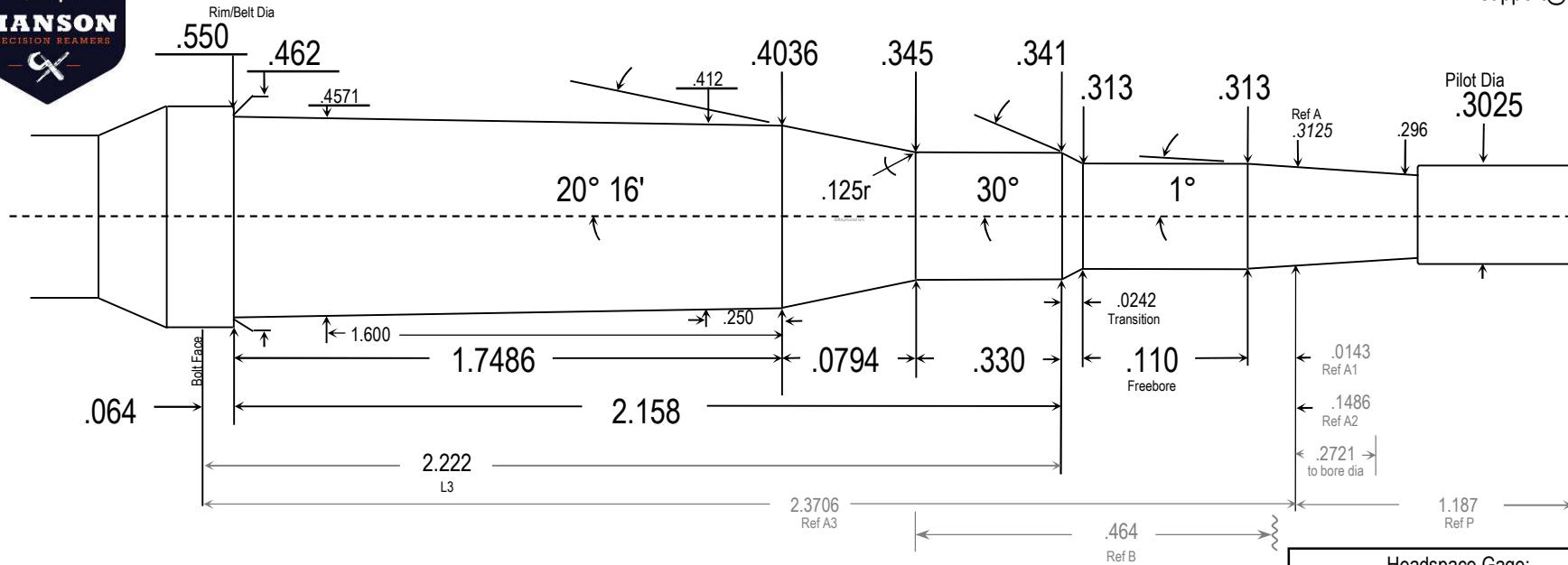
Design Date

Revision

Manson Precision Reamers

8200 Embury Rd, Grand Blanc, MI 48439

support@mansonreamers.com



SAAMI 303 British with the exception that the throat is simplified for better performance. SAAMI spec throat available on a made to order basis

Use Manson 30-40 Krag Headspace gages

Headspace Gage:	
30-40 Krag	
MIN Headspace	.064
Gage Rim/Belt Dia	.545
L1	1.8126
L2	1.892
Breech to Shoulder Datum	1.85133
Shoulder Datum	.375
Body TPI	.03342551
Dia Tolerance	+.001/-.000
Length Tolerance	+.005/-.000
Angle Tolerance	+/- 10'
Drawn:	R Gross
Template	PT2.1b 12/1/22
SD	2025.01.06
Print not to scale	

303 British Manson