



264 Win Mag SAAMI

4/21/1980

Design Date

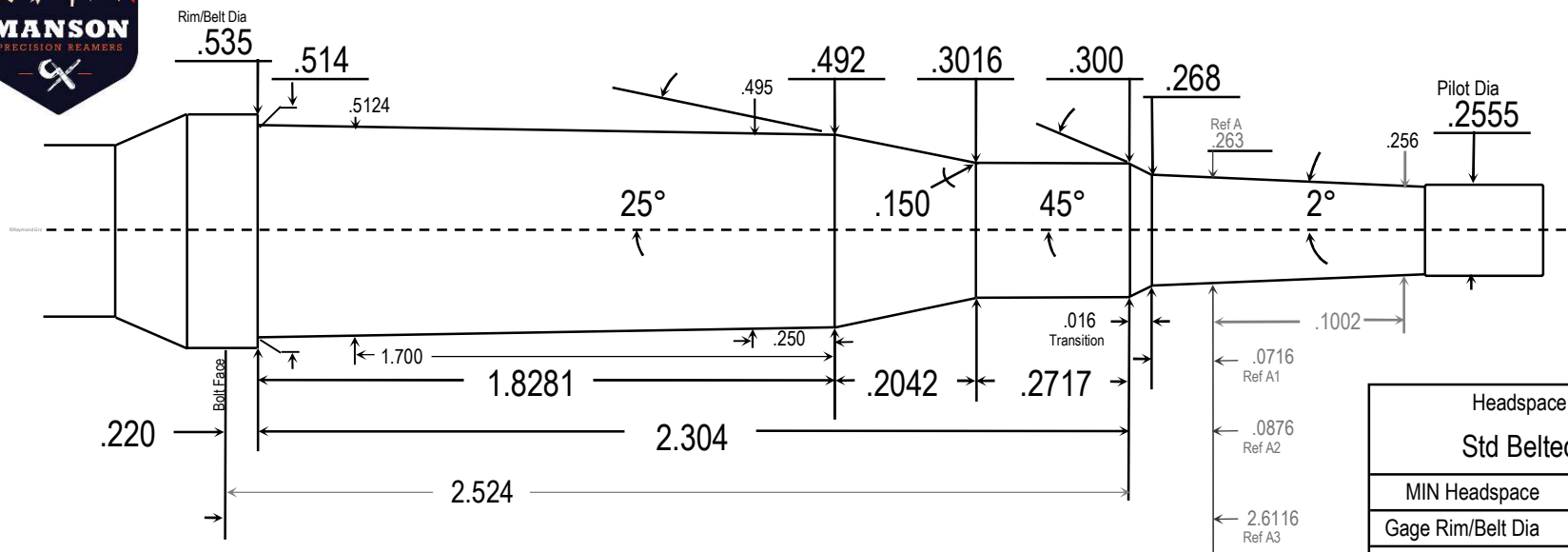
8/29/2020

Revision

Manson Precision Reamers

8200 Embury Rd, Grand Blanc, MI 48439

(810) 953-0732 support@mansonreamers.com



264 Win Mag SAAMI

Headspace Gage: Std Belted Mag	
MIN Headspace	.220
Gage Rim/Belt Dia	.530
Dia Tolerance	+.001/-.000
Length Tolerance	+.005/-.000
Angle Tolerance	+/- 10'
Body TPI	.012
L1	2.0481
L2	2.2523
L3	2.524
Shoulder Position	2.1467
Shoulder Datum	.400
Dia @ .200 Line	.5142
Drawn:	R Gross
Template	rimTT 2.02
SD	2024.11.25
Print not to scale	

SAAMI 2024 - Translated 2024.11.25