

Customer

Est/Inv Date

Est/Inv Num

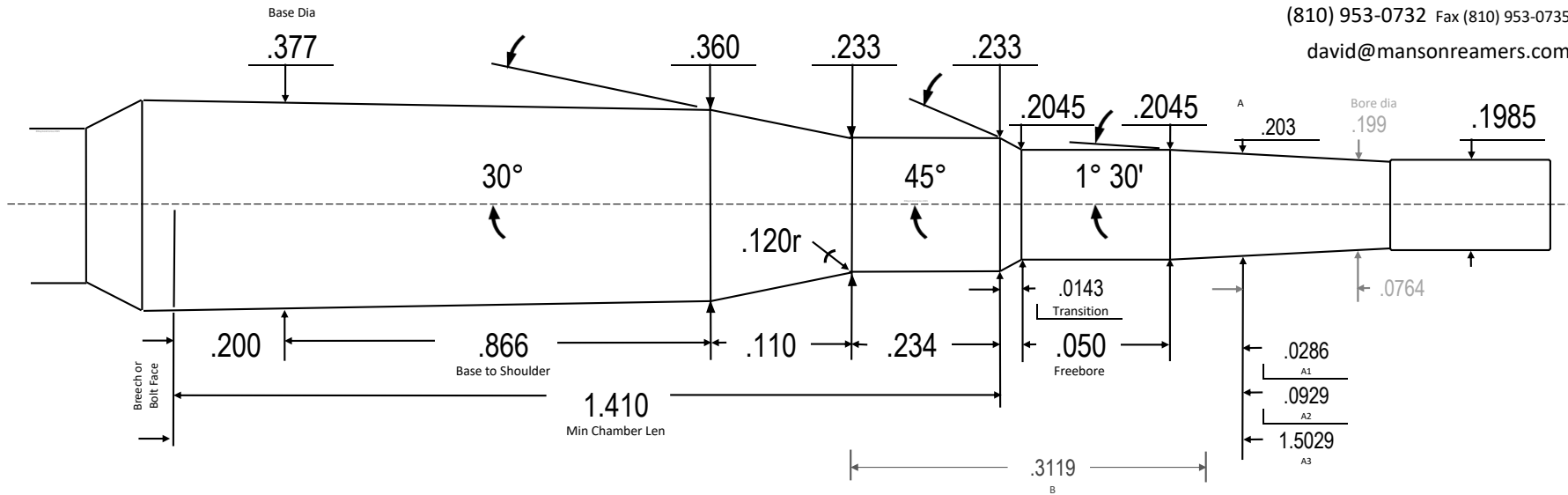
### Manson Precision Reamers

8200 Embury Rd  
Grand Blanc, MI 48439

(810) 953-0732 Fax (810) 953-0735

david@mansonreamers.com

20 Vartarg



20 Vartarg

20 Vartarg

Standard

Revision

Design Date

Revision

Todd Kindler design for Lapua brass.

Headspace Gage:	
20 Vartarg	
MIN Headspace	1.092
Datum	.330
L1	1.066
L2	1.176
Body TPI	.01963
Dia Tolerance	+.001/-.000
Length Tolerance	+.005/-.000
Angle Tolerance	+/- 10'
~Chamber Vol in <sup>3</sup>	.1226
Transition Fwd	.9729
Min Blank Len	2.3829
Drawn:	R Gross
Print	cf14eb
Template	v6.7h