



Standard Inventory Item  
**338 ARC**

76E837

06/19/2024

07/15/2024

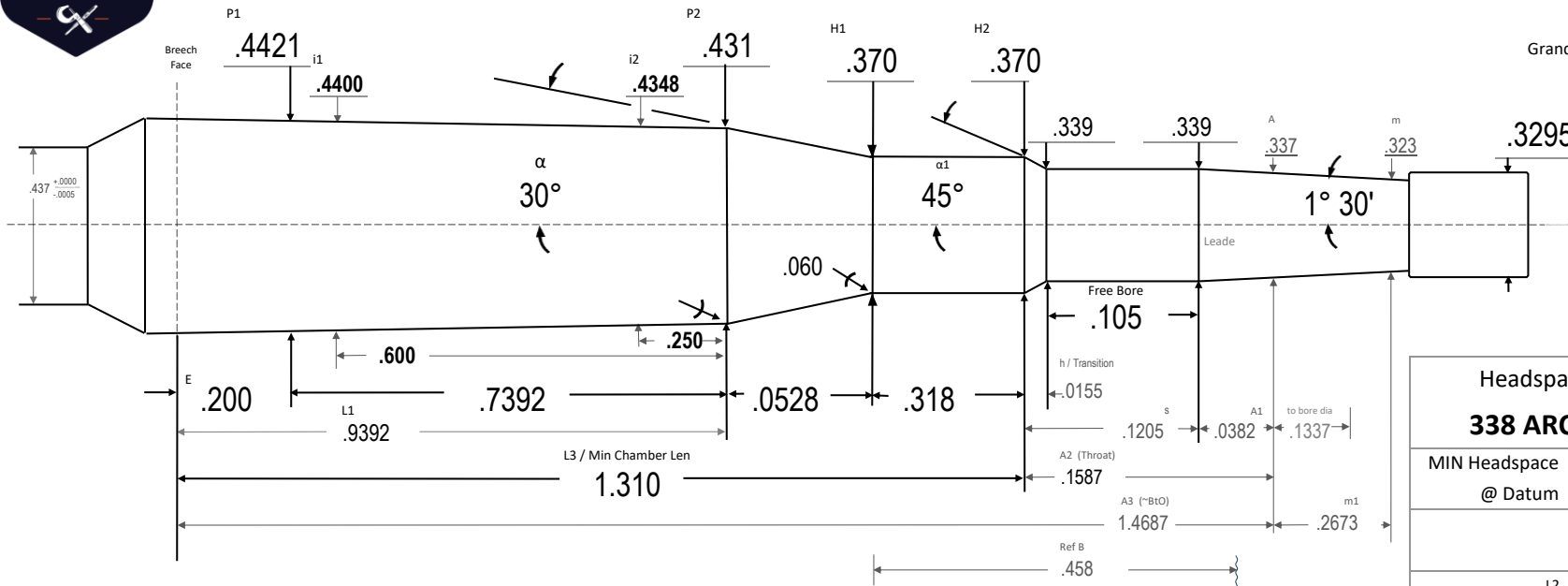
Revision

**Manson Reamers**

Contact us at:  
 support@mansonreamers.com  
 (810) 953-0732

8200 Embury Rd  
 Suite 1  
 Grand Blanc, MI 48439

**338 ARC**



SAAMI Submission print from Hornady - Translated 2024.07.30

Headspace Gage:	
<b>338 ARC SAAMI</b>	
MIN Headspace	.9661
@ Datum	.4000
L2	.9920 81
Len- Breech to Bore dia	1.6023 24
Body TPI	.015
Breech Face Dia	.4451
~Chamber Vol in <sup>3</sup>	.1482 32
Drawn:	Ray Gross
SD	2024.10.17
Template PTL	V10.6 24.08.01
Dia Tolerance	+.001 / -.000
Length Tolerance	+.005 / -.000
Angle Tolerance	+/- 15'
Use Reamer Blank	0
Print is not to scale	



**338 ARC**

**338 ARC**