



Standard Inventory Item

# 7.62x39 SAAMI

8F75AB

8/1/1988

2/28/2022

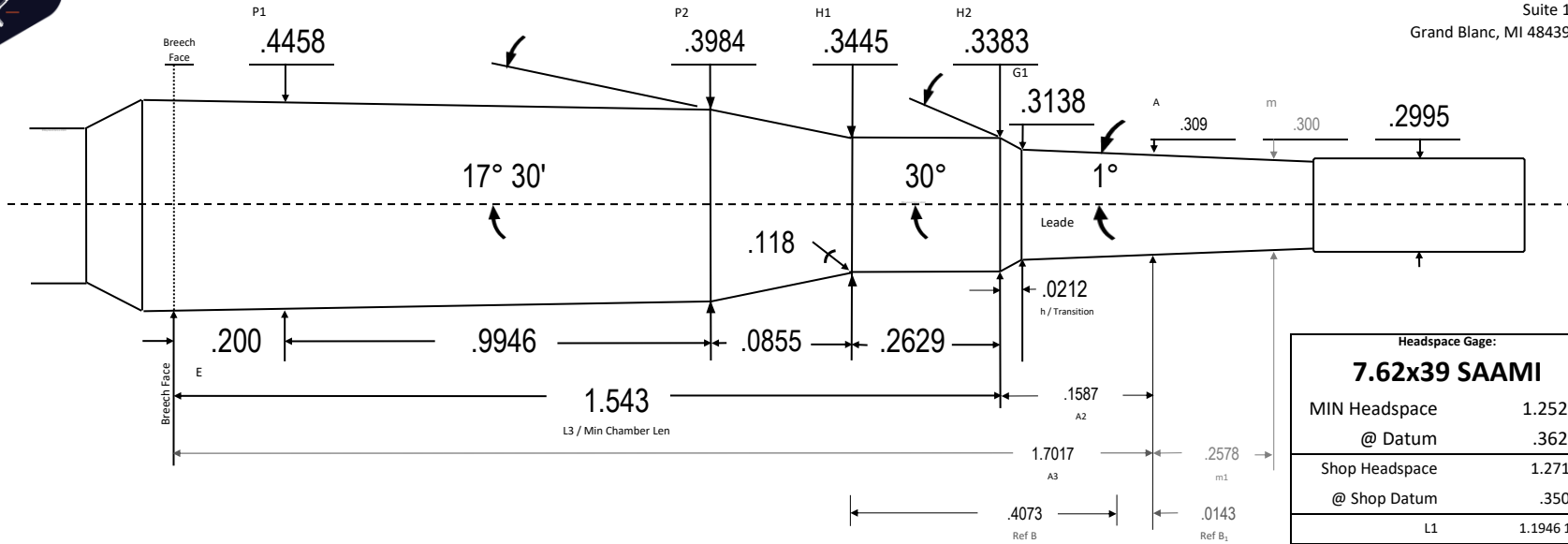
Revision

Manson Reamers

Contact us at:  
support@mansonreamers.com  
(810) 953-0732

8200 Embury Rd  
Suite 1  
Grand Blanc, MI 48439

7.62x39 SAAMI



Verified SAAMI 2024 24.04.16rg

Headspace Gage:	
7.62x39 SAAMI	
MIN Headspace	1.2520
@ Datum	.3622
Shop Headspace	1.2713
@ Shop Datum	.3500
L1	1.1946 18
L2	1.2800 69
A3+m1	1.9595 00
Body TPI	.0476 71
Breech Face Dia	.4553 34
~Chamber Vol in <sup>3</sup>	.1804 93
Drawn:	Ray Gross
SD	2024.07.11
Template TT	V10.5 24.07.11
Dia Tolerance	+ .001/- .000
Length Tolerance	+ .005/- .000
Angle Tolerance	+/- 15'
Use Reamer Blank	7.62x39
Print is not to scale	



7.62x39 SAAMI

7.62x39 SAAMI