



Standard Inventory Item
7 PRCC

10F567

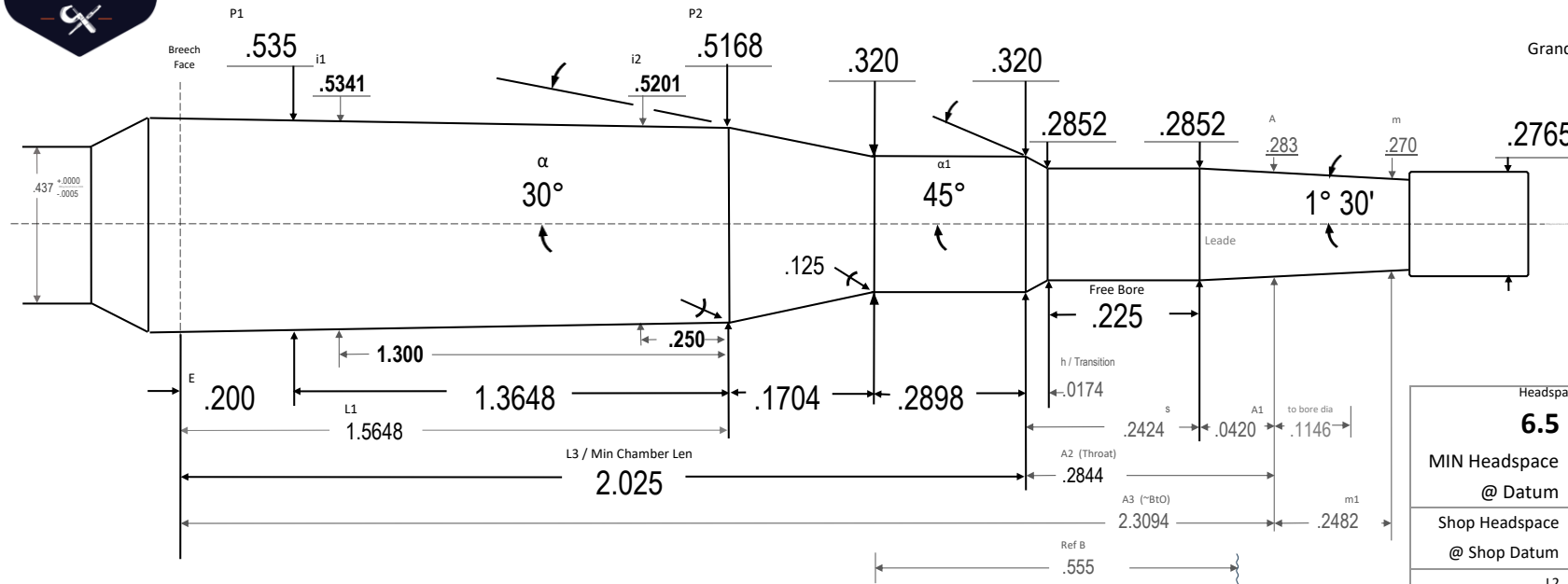
12/5/2022

Manson Reamers

Contact us at:
support@mansonreamers.com
(810) 953-0732

8200 Embury Rd
Suite 1
Grand Blanc, MI 48439

7 PRCC



Headspace Gage:	
6.5 PRC	
MIN Headspace	1.6486
@ Datum	.4200
Shop Headspace	1.6659
@ Shop Datum	.4000
L2	1.7352 03
Len- Breech to Bore dia	2.4239 73
Body TPI	.0133 36
Breech Face Dia	.5376 67
~Chamber Vol in ³	.3655 27
Drawn:	Ray Gross
SD	2024.08.06
Template PTL	V10.6 24.08.01
Dia Tolerance	+.001/- .000
Length Tolerance	+.005/- .000
Angle Tolerance	+/- 15'
Use Reamer Blank	0
Print is not to scale	

Erik Cortina Design- released to public

6.5 PRC necked up to 7mm

Use .320 neck dia for No-neck turn, .315 for Neck Turn required



7 PRCC

7 PRCC