



Standard Inventory Item
50 Browning

41C988

1995-05-31

2018-10-17

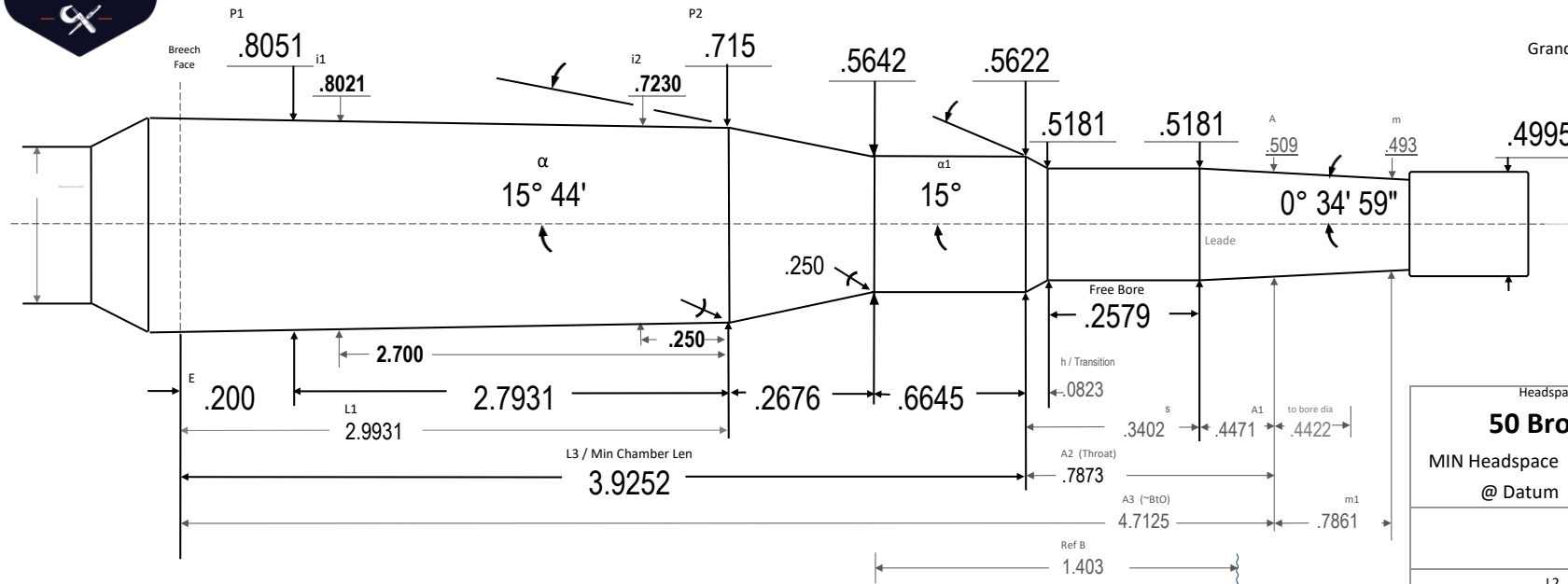
Revision

Manson Reamers

Contact us at:
support@mansonreamers.com
(810) 953-0732

8200 Embury Rd
Suite 1
Grand Blanc, MI 48439

50 Browning



See also our 50 Browning Match

Also meets CIP spec (as defined 8/5/2024).

Headspace Gage:	
50 Browning	
MIN Headspace	3.1332
@ Datum	.6360
L2	3.2606 81
Len- Breech to Bore dia	5.1551 53
Body TPI	.0322 79
Breech Face Dia	.8115 74
~Chamber Vol in ³	1.4576 85
Drawn:	Ray Gross
SD	2024.08.05
Template PTL	V10.6 24.08.01
Dia Tolerance	+.001/- .000
Length Tolerance	+.005/- .000
Angle Tolerance	+/- 15'
Use Reamer Blank	0
Print is not to scale	



50 Browning

50 Browning