



Standard Inventory Item

**325 WSM**

73A26D

06/22/2005

7/27/2022

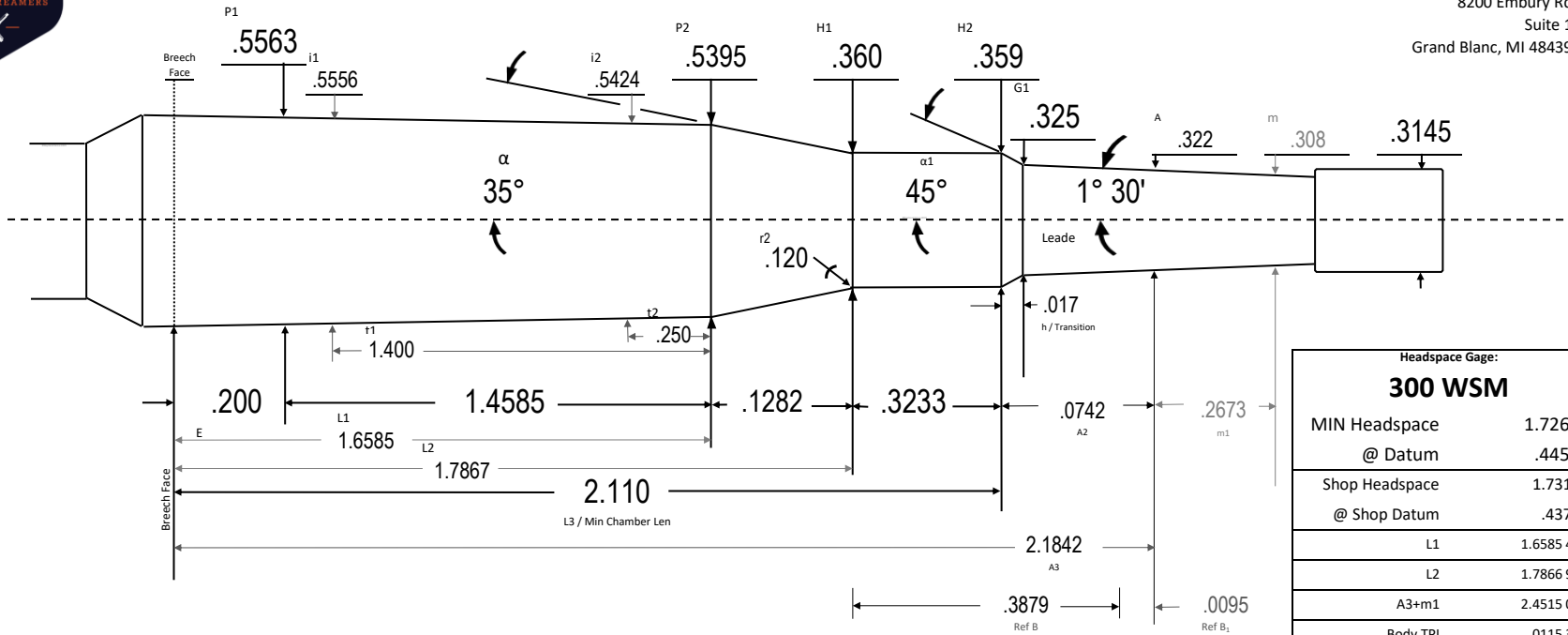
Revision

Manson Reamers

Contact us at:  
support@mansonreamers.com  
(810) 953-0732

8200 Embury Rd  
Suite 1  
Grand Blanc, MI 48439

325 WSM



SAAMI 2024 - Translated 2024.05.13

Headspace Gage:	
<b>300 WSM</b>	
MIN Headspace	1.7260
@ Datum	.4450
Shop Headspace	1.7314
@ Shop Datum	.4375
L1	1.6585 41
L2	1.7866 96
A3+m1	2.4515 00
Body TPI	.0115 38
Breech Face Dia	.5586 08
~Chamber Vol in <sup>3</sup>	.4133 41
Drawn:	Ray Gross
SD	2024.08.04
Template TT	V10.6 24.08.01
Dia Tolerance	+ .001/- .000
Length Tolerance	+ .005/- .000
Angle Tolerance	+/- 15'
Use Reamer Blank	O/S 300 WSM
Print is not to scale	



325 WSM

325 WSM