



Standard Inventory Item
308 Win 2013 FTR Team

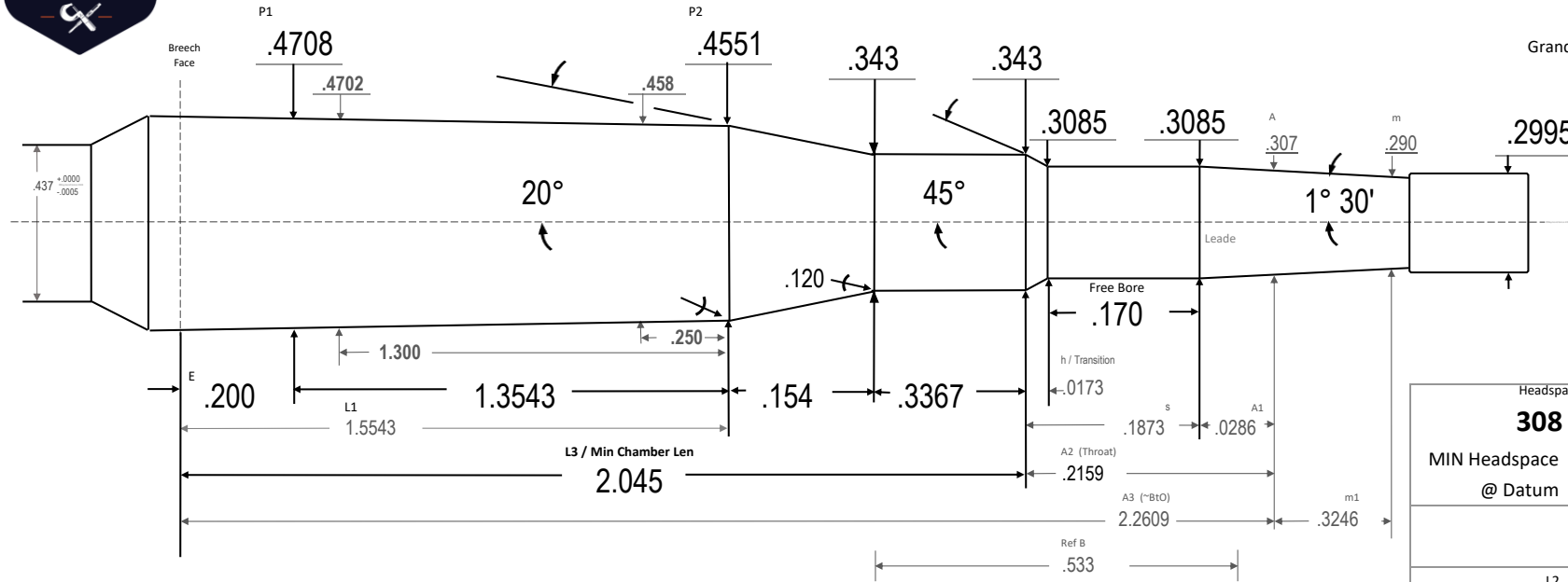
AA08D2

Manson Reamers

Contact us at:
 support@mansonreamers.com
 (810) 953-0732

8200 Embury Rd
 Suite 1
 Grand Blanc, MI 48439

308 Win 2013 FTR Team



Designed for the Berger 185 Juggs, 200 Hybrids & 200.20x. Also well suited to Hornady 178 & 208 ELDM and Sierra 180, 190 & 200 MK.

Hornady & Berger 208's will seat forward of the neck/shoulder junction in this chamber, but these bullets are better suited for a longer throated reamer like the '308 Win 208 T30'

Headspace Gage:	
308 Win	
MIN Headspace	1.6300
@ Datum	.4000
L2	1.7083 03
Len- Breech to Bore dia	2.3945 51
Body TPI	.0115 93
Breech Face Dia	.4731 19
~Chamber Vol in ³	.2823 66
Drawn:	Ray Gross
SD	2024.07.21
Template PTL	V10.5 24.07.11
Dia Tolerance	+.001/-0.000
Length Tolerance	+.005/-0.000
Angle Tolerance	+/- 15'
Use Reamer Blank	0
Print is not to scale	



308 Win 2013 FTR Team

308 Win 2013 FTR Team