



Standard Inventory Item
7 BR SAAMI

FE14A5

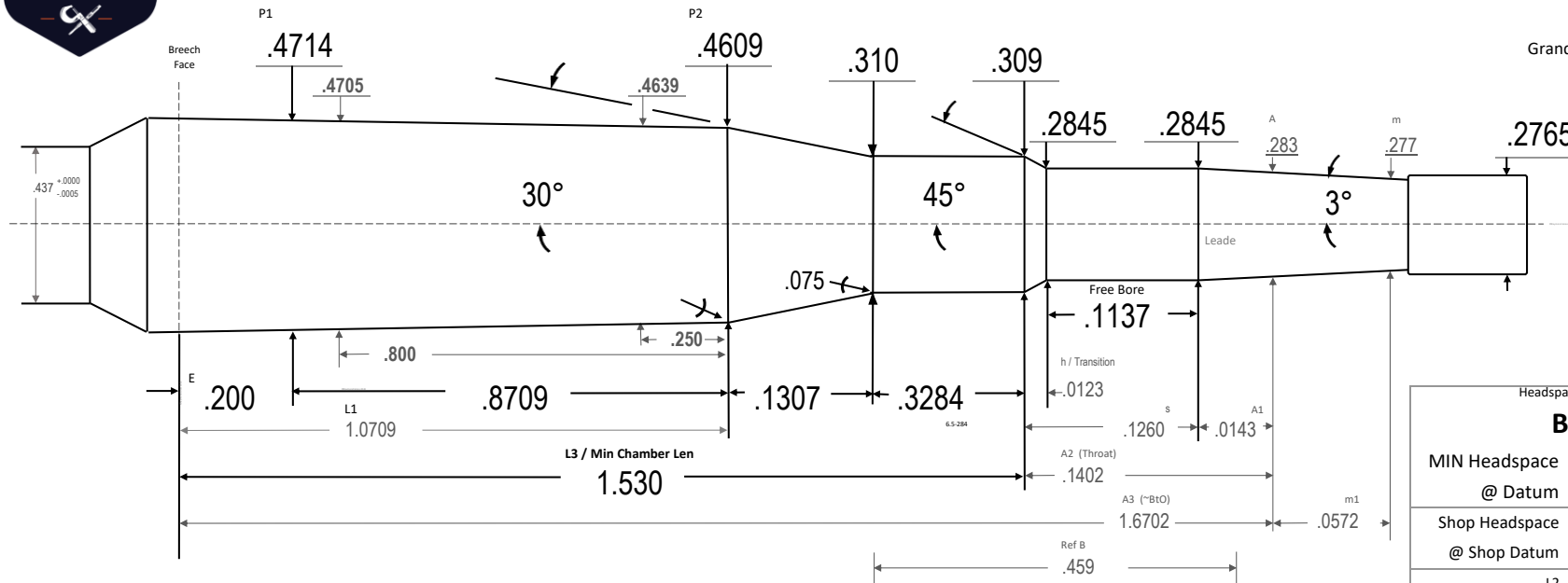
03/09/1993

Manson Reamers

Contact us at:
support@mansonreamers.com
(810) 953-0732

8200 Embury Rd
Suite 1
Grand Blanc, MI 48439

7 BR SAAMI



SAAMI 1993 - Translated 2024.06.03 (SAAMI lists groove dia as .2837)

SAAMI delisted the 7mm BR sometime prior to 2015. This is the 1993 SAAMI published standard.

Headspace Gage:	
BR	
MIN Headspace	1.1670
@ Datum	.3500
Shop Headspace	1.1670
@ Shop Datum	.3500
L2	1.2016 41
A3+m1	1.7274 43
Body TPI	.012
Breach Face Dia	.4738
~Chamber Vol in ³	.1991 87
Drawn:	Ray Gross
SD	2024.06.08
Template PTL	V10.3 24.05.24
Dia Tolerance	+.001/-0.000
Length Tolerance	+.005/-0.000
Angle Tolerance	+/- 15'
Use Reamer Blank	0
Print is not to scale	



7 BR SAAMI

7 BR SAAMI