



Standard Inventory Item

**6x45**

20F4CF

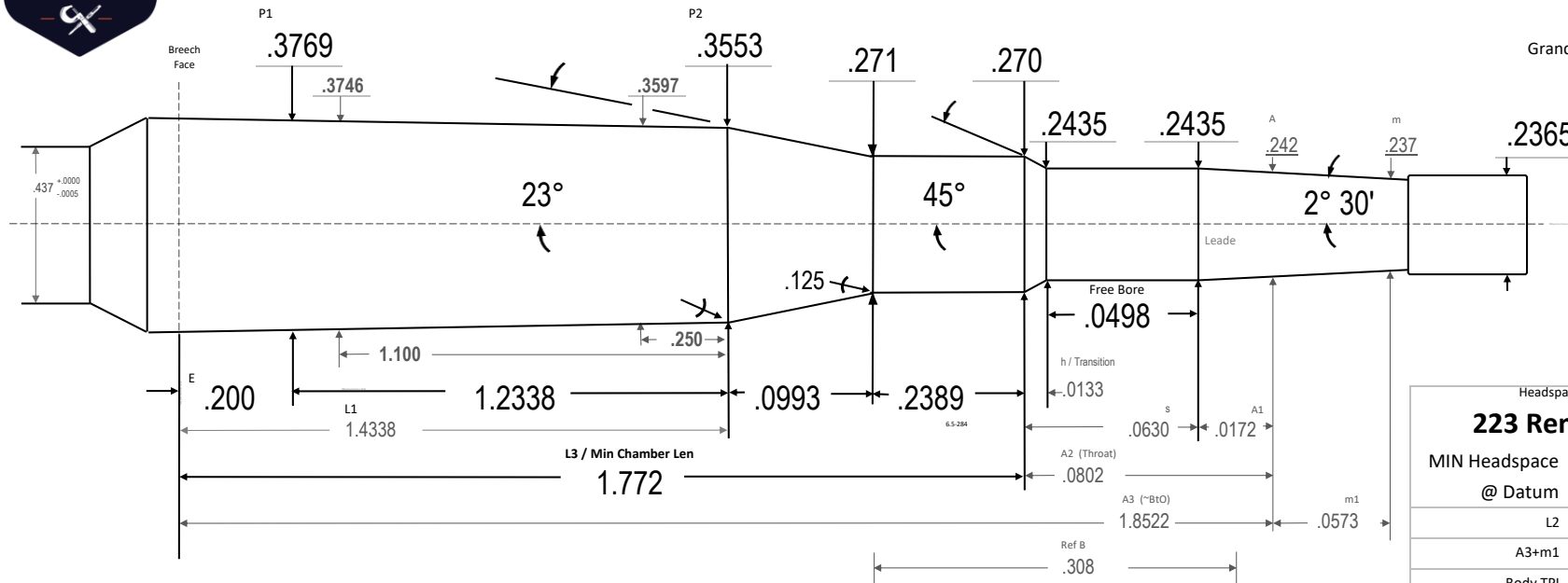
12/14/2015

**Manson Reamers**

Contact us at:  
support@mansonreamers.com  
(810) 953-0732

**6x45**

8200 Embury Rd  
Suite 1  
Grand Blanc, MI 48439



Delisted from SAAMI 2024  
SAAMI 2015 - Translated 2024.05.24.

Headspace Gage:	
<b>223 Remington</b>	
MIN Headspace	1.4636
@ Datum	.3300
L2	1.5330 98
A3+m1	1.9094 59
Body TPI	.0175
Breech Face Dia	.3804
~Chamber Vol in <sup>3</sup>	.1601 33
Drawn:	Ray Gross
SD	2024.05.24
Template PTL	V10.3 24.05.24
Dia Tolerance	+ .001 / - .000
Length Tolerance	+ .005 / - .000
Angle Tolerance	+ / - 15'
Use Reamer Blank	6 CM, 300 BO
Print is not to scale	

