



Standard Inventory Item
6 XC Tubb 2018

B466F3

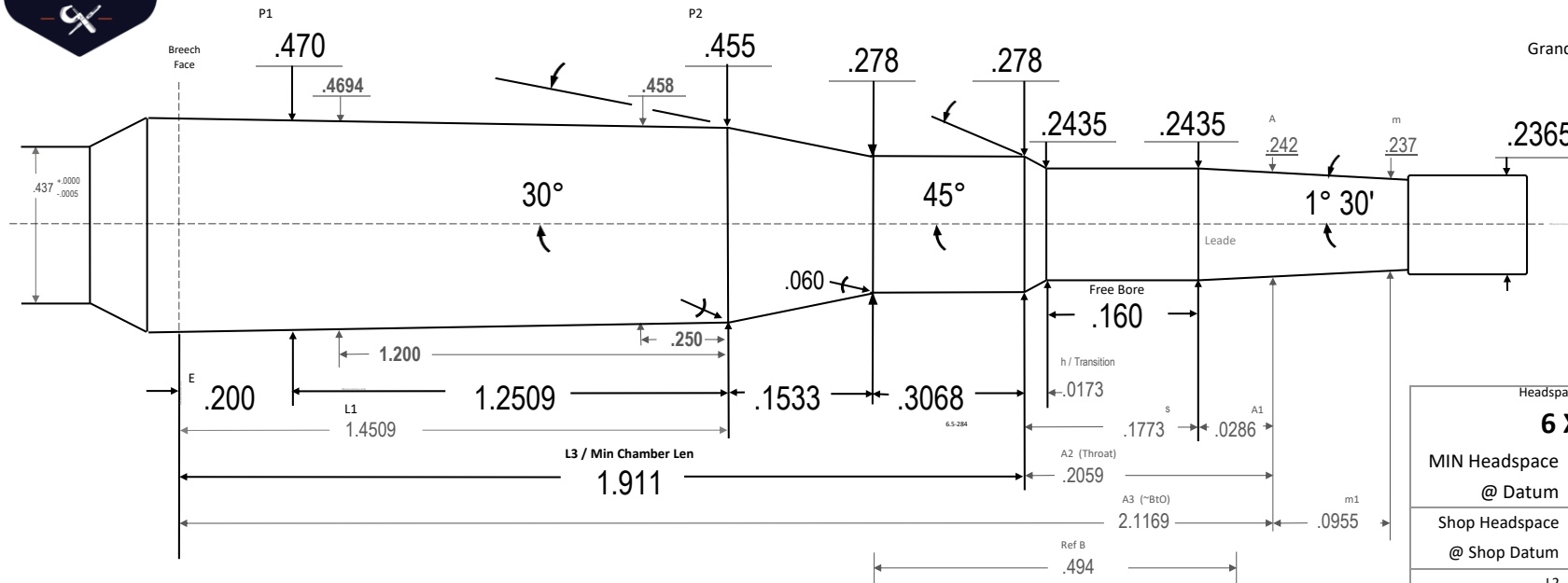
2/2018

Manson Reamers

Contact us at:
support@mansonreamers.com
(810) 953-0732

8200 Embury Rd
Suite 1
Grand Blanc, MI 48439

6 XC Tubb 2018



Official David Tubb Version.

Per D Tubb: I shoot the original 6xc. Not the 6xcII- not my design. Strictly my opinion and what works for me but here is what I use for original 6xc. I do know people successfully using .140 freebore for 115s. That being said, for 6xc reamer I use a .278 chamber neck diameter .160 freebore (straight section) and 1.5 degree lead. The reason I use a .278 neck is it allows the bullet to center itself more easily and the carbon buildup isn't an issue after several rounds. I also don't want to neck turn anything.

2.780" is close COAL measurement for a new chamber. I like to try shooting 115 DTACs with a either a .010" to .020" jump or .010" seated into the rifling. My load is 39.5 grains of H4350 using the coated DTAC 115s achieving velocity of 2950fps. I use Norma or Peterson brass and the Tubb 6xc sizing dies from Superior Shooting Systems and have had no problems in the many years I have shot the 6xc. Peterson brass purchased from Superior Shooting Systems has been quality controlled to my specifications

Headspace Gage:	
6 XC	
MIN Headspace	1.5202
@ Datum	.3750
Shop Headspace	1.5202
@ Shop Datum	.3750
L2	1.6042 04
A3+m1	2.2123 71
Body TPI	.0119 91
Breech Face Dia	.4723 98
~Chamber Vol in ³	.2615 38
Drawn:	Ray Gross
SD	2024.06.08
Template PTL	V10.4 24.06.08
Dia Tolerance	+.001/- .000
Length Tolerance	+.005/- .000
Angle Tolerance	+/- 15'
Use Reamer Blank	0
Print is not to scale	



6 XC Tubb 2018

8T0Z q9bJ CX 9