



Standard Inventory Item

6 Dasher

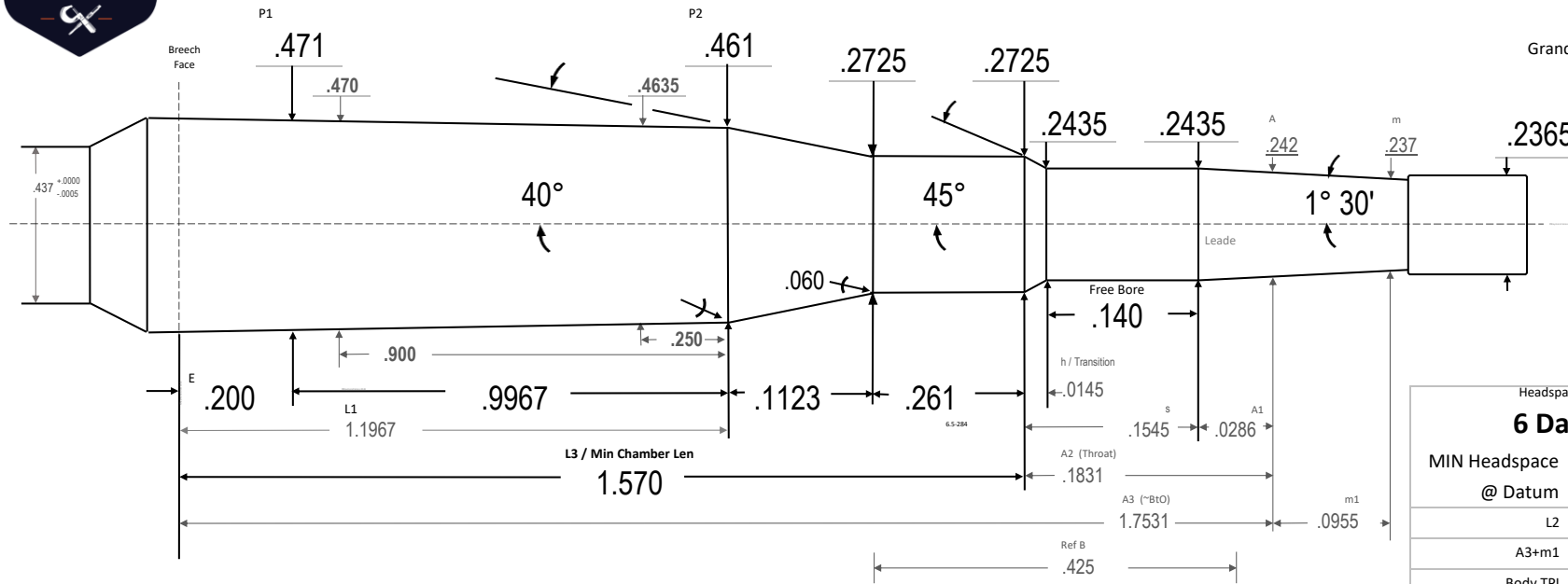
8639AE

Manson Reamers

Contact us at:
support@mansonreamers.com
(810) 953-0732

8200 Embury Rd
Suite 1
Grand Blanc, MI 48439

6 Dasher



This is the 'Lapua' brass chamber. Tight, but no neck turn

Also appropriate for Peterson brass lots 2021 to present (2024)

Norma Dasher brass requires a .303 neck length. Some lots of Alpha Brass may need a .274+ neck dia. for no neck turn, see print '6 Dasher Alpha Brass [389FC2]'

This chamber is well suited for Berger 105 Hybrid, 105 VLD, 108 TargBT, 115 VLD, Hornady 108 ELDM, 105 Amax, Nosler 105 CustomComp, 105 RDF, Sierra 107 MK, 110 MK. Many boat tail bullets, less than 90 grs, will have very little in the neck if seated out to the lands.

Headspace Gage:	
6 Dasher	
MIN Headspace	1.2479
@ Datum	.3750
L2	1.3089 77
A3+m1	1.8485 71
Body TPI	.0100 34
Breech Face Dia	.4730 07
~Chamber Vol in ³	.2171 1
Drawn:	Ray Gross
SD	2024.05.16
Template PTL	V10.2 24.01.10
Dia Tolerance	+ .001/- .000
Length Tolerance	+ .005/- .000
Angle Tolerance	+/- 15'
Use Reamer Blank	6 BR
Print is not to scale	



6 Dasher

6 Dasher