



Standard Inventory Item  
284 Win SAAMI

899A50

5/29/1979

5/5/2022

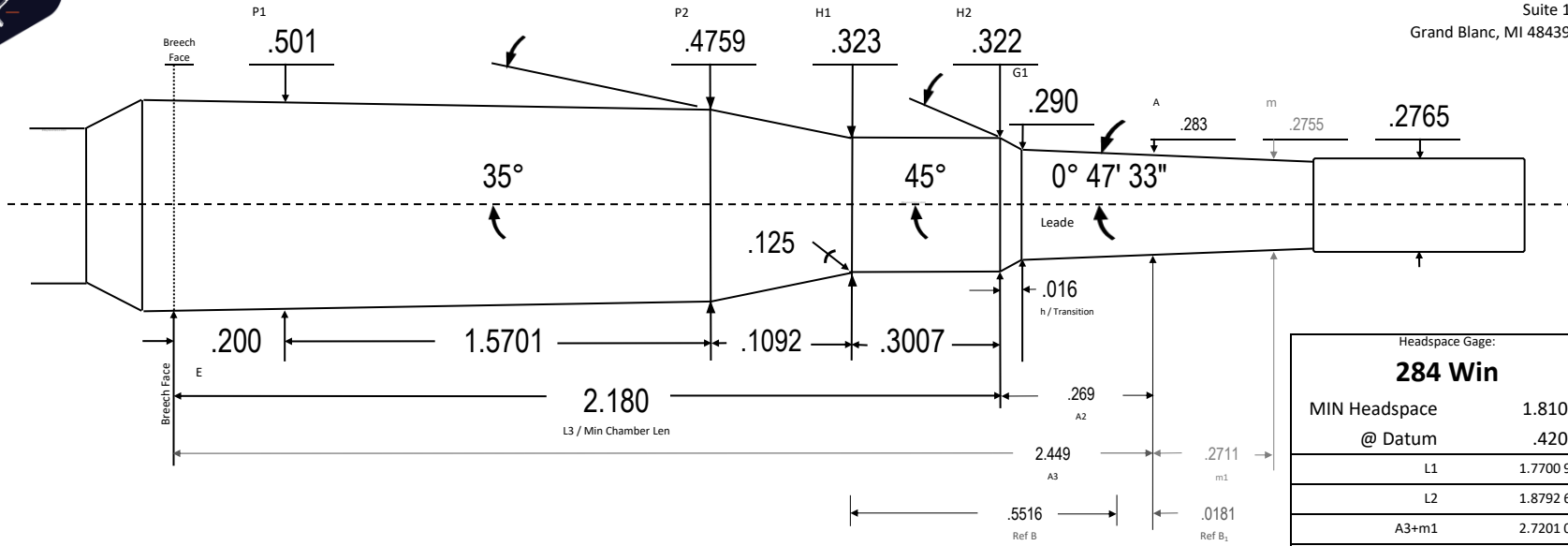
Revision

Manson Reamers

Contact us at:  
support@mansonreamers.com  
(810) 953-0732

8200 Embury Rd  
Suite 1  
Grand Blanc, MI 48439

284 Win SAAMI



SAAMI 2024 Verified 24.04.22rg

Headspace Gage:	
284 Win	
MIN Headspace	1.8100
@ Datum	.4200
L1	1.7700 99
L2	1.8792 65
A3+m1	2.7201 00
Body TPI	.0160 00
Breech Face Dia	.5042 00
~Chamber Vol in <sup>3</sup>	.3477 92
Drawn:	Ray Gross
SD	2024.06.07
Template TT	V10.3 24.05.24
Dia Tolerance	+ .001 / - .000
Length Tolerance	+ .005 / - .000
Angle Tolerance	+ / - 15'
Use Reamer Blank	284 Win
Print is not to scale	



284 Win SAAMI

284 Win SAAMI