



Standard Inventory Item
280 Remington

FCEDB9

6/20/1986

5/5/2022

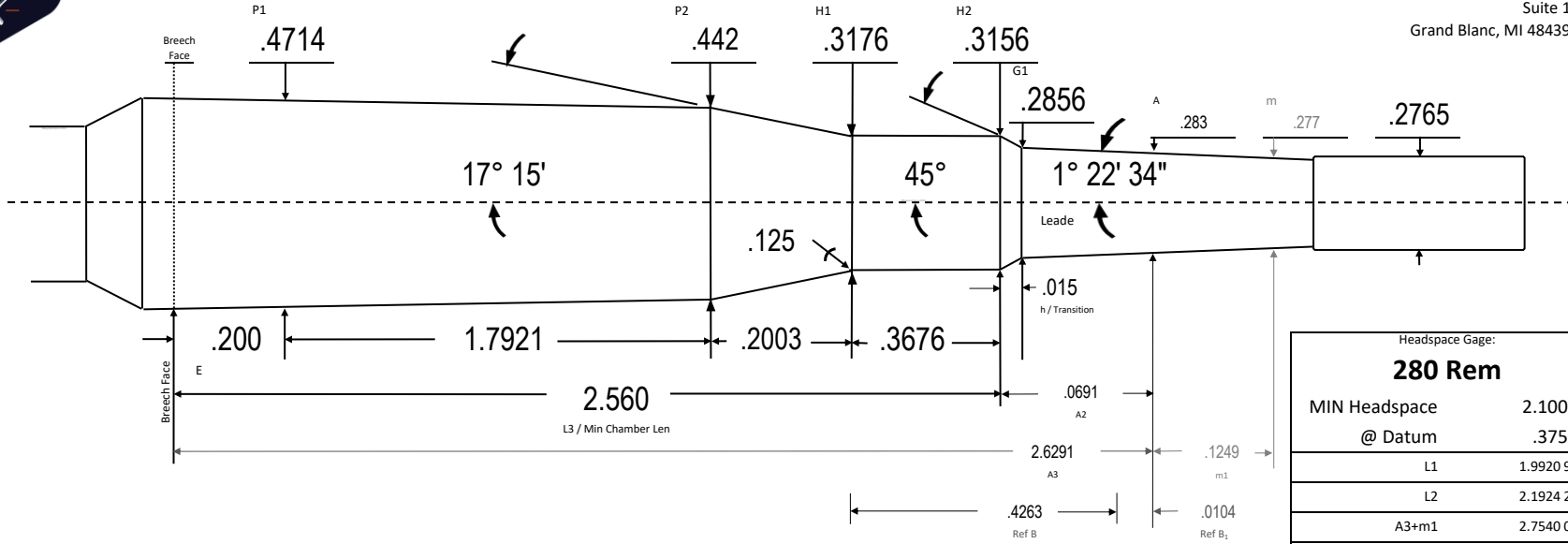
Revision

Manson Reamers

Contact us at:
support@mansonreamers.com
(810) 953-0732

8200 Embury Rd
Suite 1
Grand Blanc, MI 48439

280 Remington



aka 7mm Express Remington

SAAMI 2024 Verified 24.04.22rg

Headspace Gage:	
280 Rem	
MIN Headspace	2.1000
@ Datum	.3750
L1	1.9920 97
L2	2.1924 29
A3+m1	2.7540 00
Body TPI	.0164 00
Breach Face Dia	.4746 80
~Chamber Vol in ³	.3517 24
Drawn:	Ray Gross
SD	2024.06.07
Template TT	V10.3 24.05.24
Dia Tolerance	+ .001 / - .000
Length Tolerance	+ .005 / - .000
Angle Tolerance	+ / - 15'
Use Reamer Blank	280 Combo
Print is not to scale	



280 Remington

280 Remington