



Standard Inventory Item
270 Winchester

0D6BFE

5/29/1979

05/04/2022

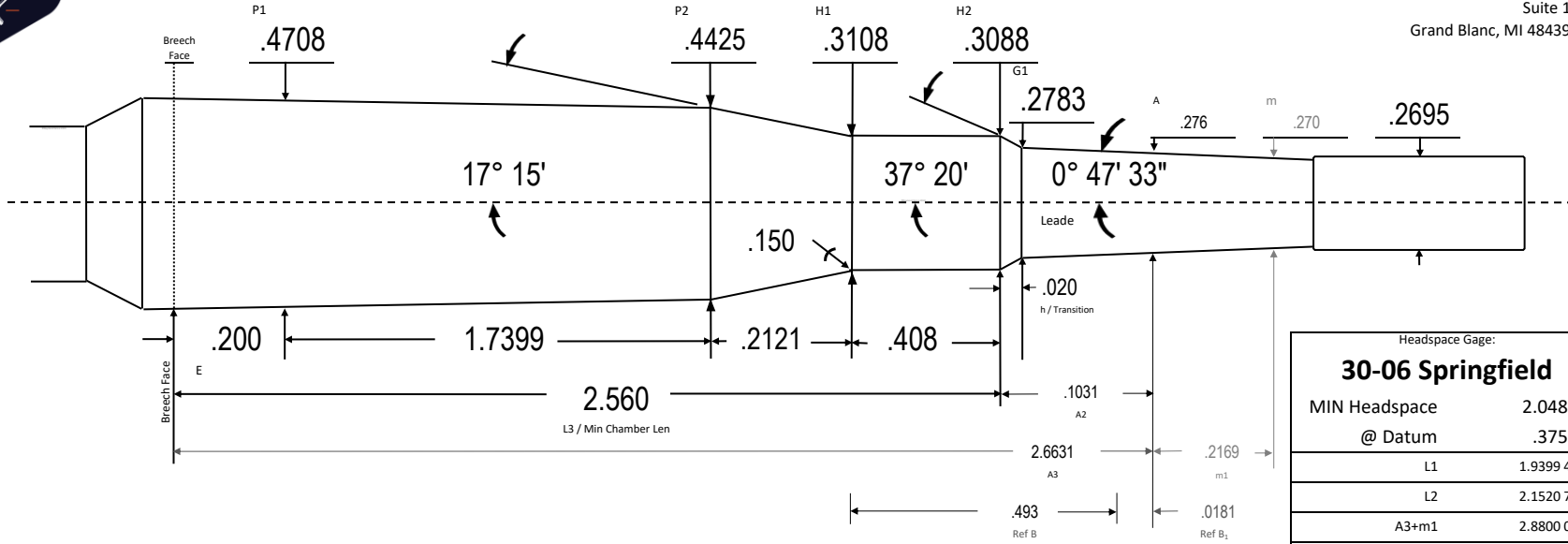
Revision

Manson Reamers

Contact us at:
support@mansonreamers.com
(810) 953-0732

8200 Embury Rd
Suite 1
Grand Blanc, MI 48439

270 Winchester



Uses std 30-06 headspace gages.

SAAMI 2024 Verified 24.04.18rg

Headspace Gage:	
30-06 Springfield	
MIN Headspace	2.0487
@ Datum	.3750
L1	1.9399 44
L2	2.1520 79
A3+m1	2.8800 00
Body TPI	.0162 42
Breech Face Dia	.4740 48
~Chamber Vol in ³	.3440 14
Drawn:	Ray Gross
SD	2024.06.07
Template TT	V10.3 24.05.24
Dia Tolerance	+ .001/- .000
Length Tolerance	+ .005/- .000
Angle Tolerance	+/- 15'
Use Reamer Blank	270 Win, 280 Combo
Print is not to scale	



270 Winchester

270 Winchester