



Standard Inventory Item
270 WSM

C1C021

2/1/2002

11/15/2021

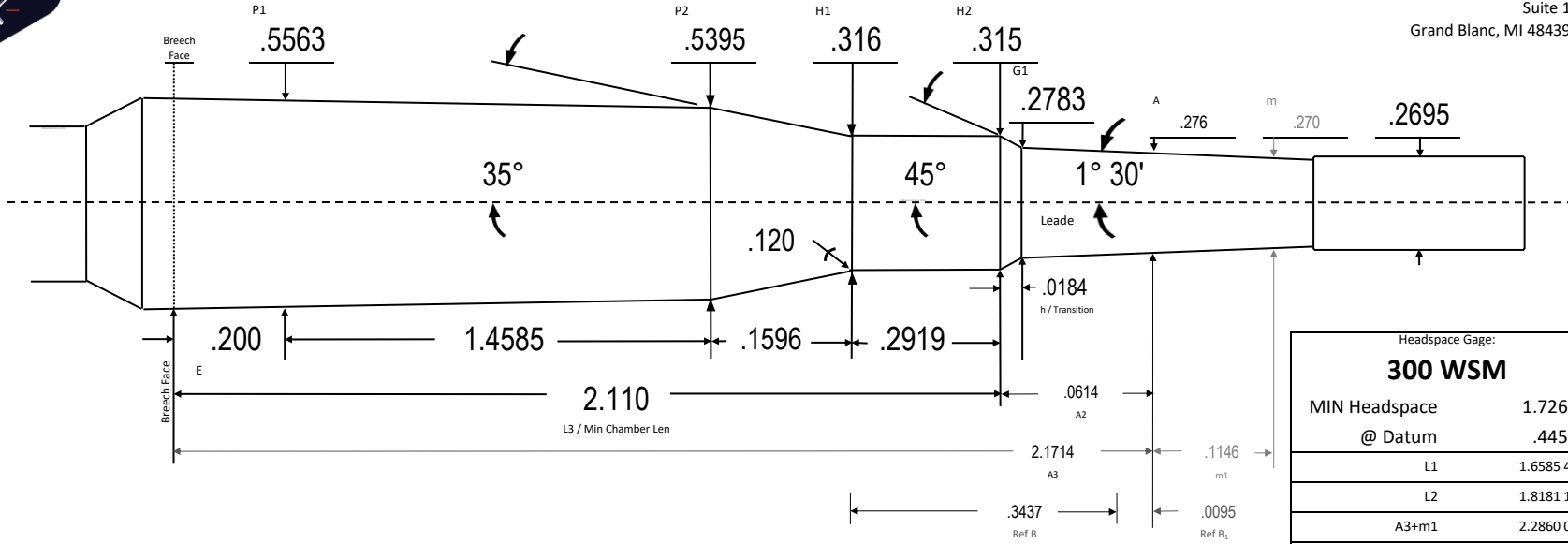
Revision

Manson Reamers

Contact us at:
support@mansonreamers.com
(810) 953-0732

8200 Embury Rd
Suite 1
Grand Blanc, MI 48439

270 WSM



SAAMI 2024 verified 24.04.18rg

Headspace Gage:	
300 WSM	
MIN Headspace	1.7260
@ Datum	.4450
L1	1.6585 41
L2	1.8181 16
A3+m1	2.2860 00
Body TPI	.0115 38
Breach Face Dia	.5586 08
~Chamber Vol in ³	.4161 61
Drawn:	Ray Gross
SD	2024.06.07
Template TT	V10.3 24.05.24
Dia Tolerance	+ .001/- .000
Length Tolerance	+ .005/- .000
Angle Tolerance	+/- 15'
Use Reamer Blank	7 WSM
Print is not to scale	



270 WSM

WSM 027