



Standard Inventory Item

223 WSSM

F5E4A3

04/21/1980

04/04/2022

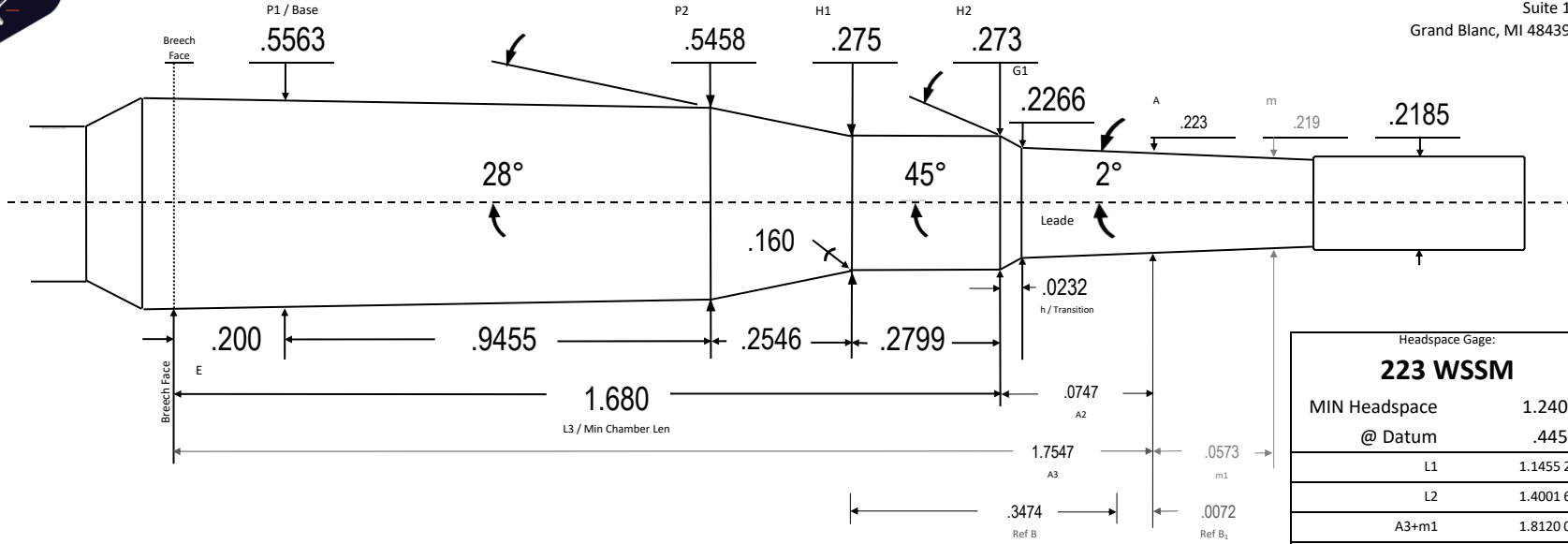
Revision

Manson Reamers

Contact us at:
support@mansonreamers.com
(810) 953-0732

8200 Embury Rd
Suite 1
Grand Blanc, MI 48439

223 WSSM



vrfd SAAMI 2015 06/14/2023rg, 24.01.14rg

Headspace Gage:	
223 WSSM	
MIN Headspace	1.2403
@ Datum	.4450
L1	1.1455 29
L2	1.4001 62
A3+m1	1.8120 00
Body TPI	.0111 25
Breach Face Dia	.5585 25
~Chamber Vol in ³	.3092 05
Drawn:	Ray Gross
SD	2024.05.24
Template TT	V10.3 24.05.24
Dia Tolerance	+ .001/- .000
Length Tolerance	+ .005/- .000
Angle Tolerance	+/- 15'
Use Reamer Blank	223 WSSM, 25 WSSM
Print is not to scale	



223 WSSM

WSSM 223