



Standard Inventory Item

**22 BR**

0D61E8

Manson

2/9/2021

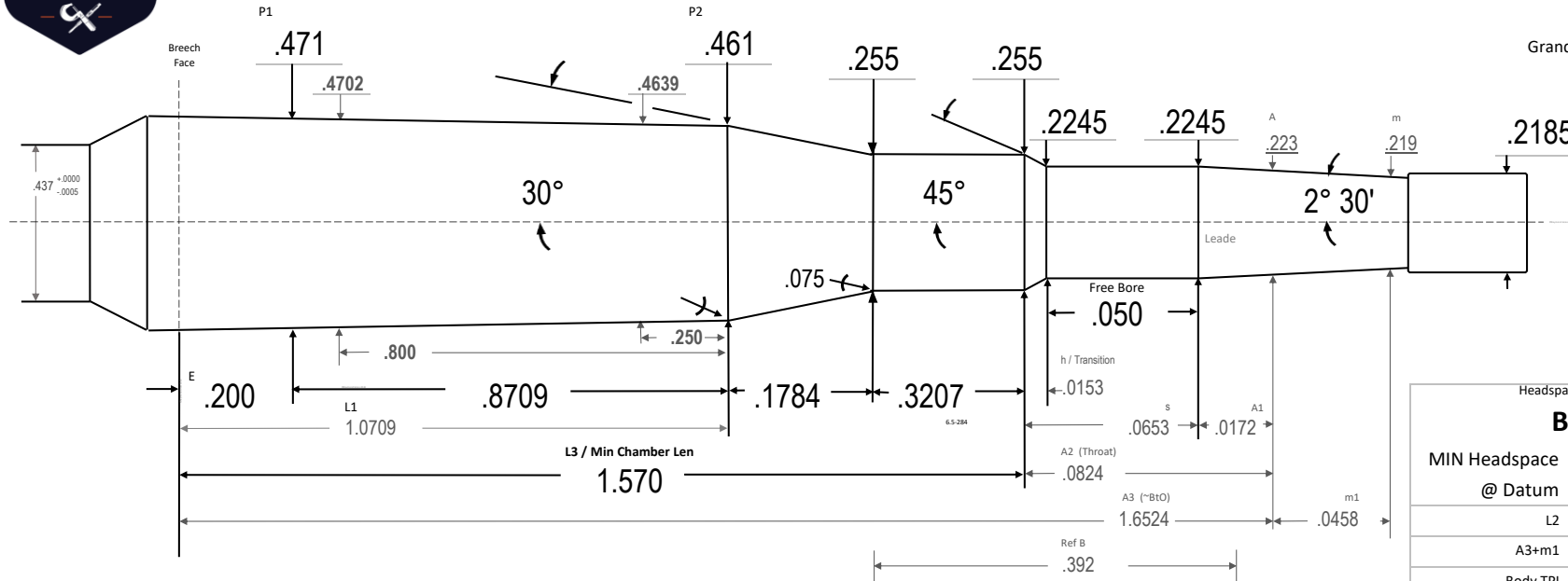
Revision

**Manson Reamers**

Contact us at:  
support@mansonreamers.com  
(810) 953-0732

**22 BR**

8200 Embury Rd  
Suite 1  
Grand Blanc, MI 48439



No Neck Turn required with Lapua

Throated for use with midweight target bullets such as Hornady 73 ELD, 75 ELDM, 80 ELDM, Nosler 69, 77, 80 Custom Comp, Sierra 77 & 80 MK, Berger 70, 75 & 80 VLD, 80.5, 85.5. Works well with all 50-70 gr boattail varmint bullets - some may need to be seated forward in the neck. Non-boattail bullets and heavier bullets may need additional freebore to keep the bullet seated forward of the neck shoulder junction.

See '22 BR Heavy B21' design for use with heavier or longer bearing surface bullets

D Manson Design / updated 2/9/21 to .255 dia neck from .252

Headspace Gage:	
<b>BR</b>	
MIN Headspace	1.1670
@ Datum	.3500
L2	1.2492 72
A3+m1	1.6982 08
Body TPI	.0114 83
Breech Face Dia	.4732 97
~Chamber Vol in <sup>3</sup>	.2020 06
Drawn:	Ray Gross
SD	2024.05.24
Template PTL	V10.3 24.05.24
Dia Tolerance	+ .001 / - .000
Length Tolerance	+ .005 / - .000
Angle Tolerance	+ / - 15'
Use Reamer Blank	6 BR
Print is not to scale	



**22 BR**

**22 BR**