



7-300 PRC M2

Standard

Revision

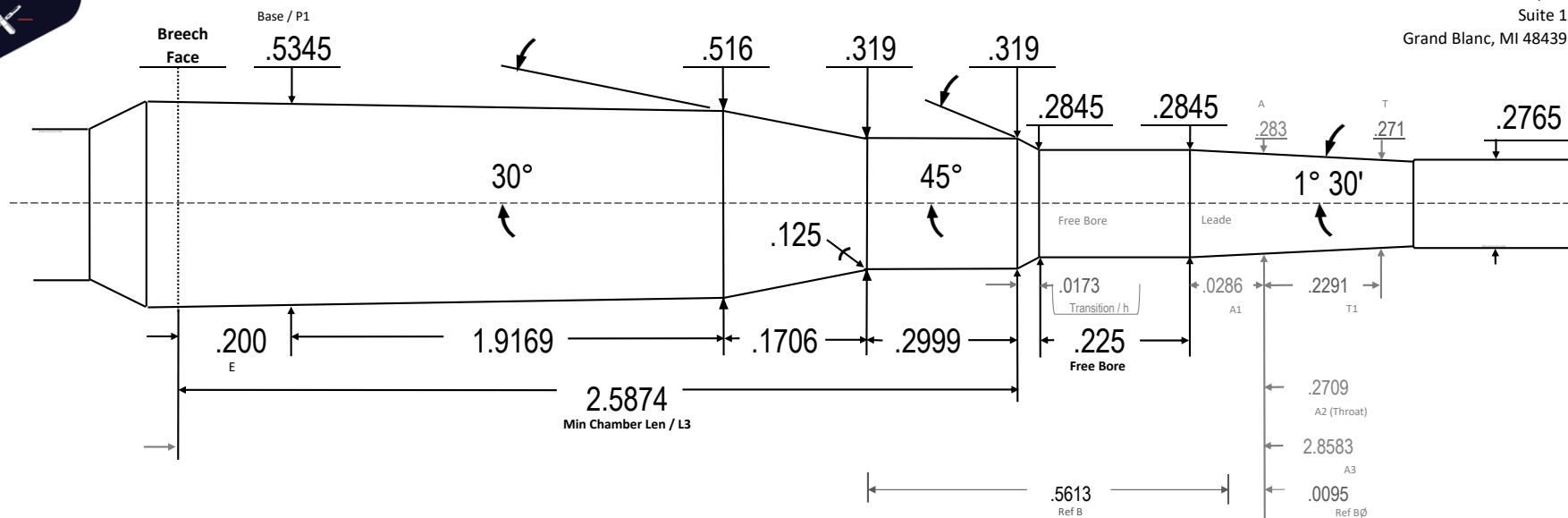
Design Date

Revision

Contact us at:
support@mansonreamers.com
(810) 953-0732

8200 Embury Rd
Suite 1
Grand Blanc, MI 48439

7-300 PRC M2



11/19/2019/rev 12/20/22

Headspace Gage:	
300 PRC	
MIN Headspace	2.2173
@ Datum	.400
L1	2.1169
L2	2.2875
A3+T1	3.0874
Body TPI	.0096512
Breech Face Dia	.5364
~Chamber Vol in ³	.4842
Drawn:	Ray Gross
Print Hash	5BB457
Template	V8f 2023.02.02
Dia Tolerance	
Length Tolerance	
Angle Tolerance	
Print is not to scale	

7-300 PRC M2

7-300 PRC M2