



Standard Inventory Item

22 Creedmoor

BB2AE2

1/21/2024

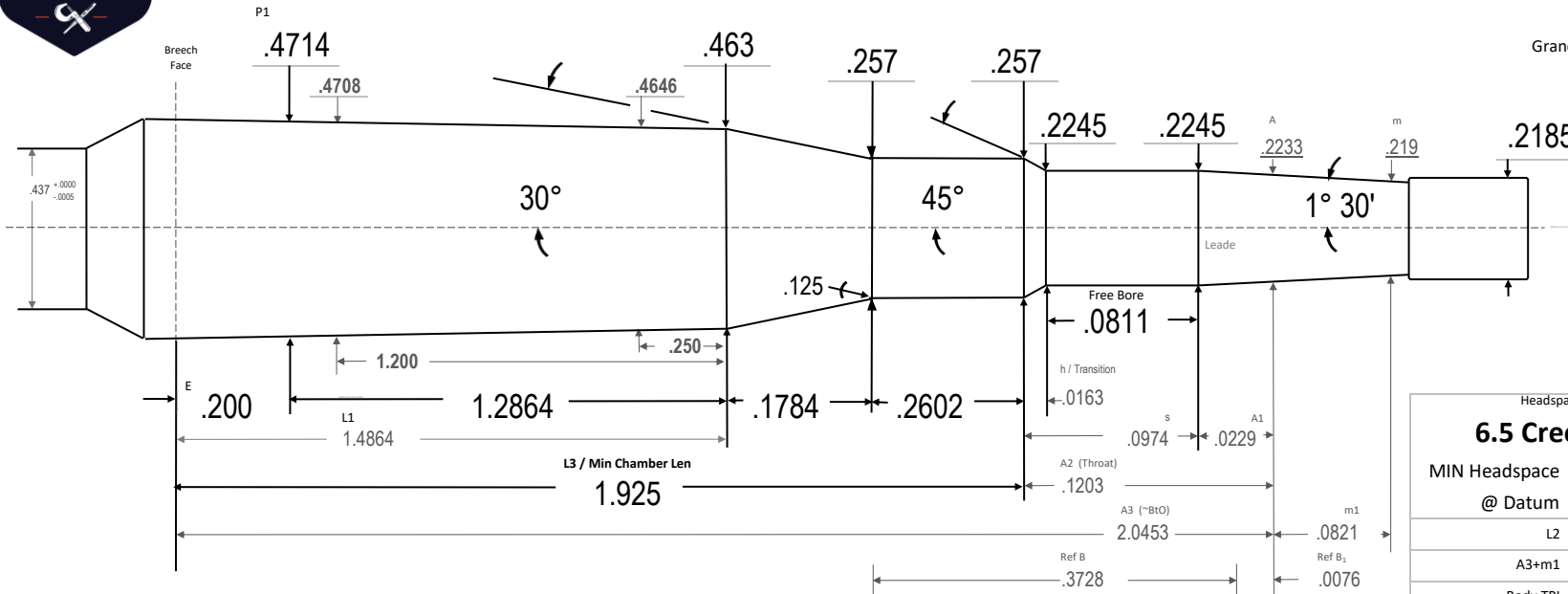
n/a
Revision

Manson Reamers

Contact us at:
support@mansonreamers.com
(810) 953-0732

8200 Embury Rd
Suite 1
Grand Blanc, MI 48439

22 Creedmoor



Headspace Gage:	
6.5 Creedmoor	
MIN Headspace	1.5410
@ Datum	.4000
L2	1.6648 42
A3+m1	2.1274 05
Body TPI	.0065 3
Breech Face Dia	.4727 06
~Chamber Vol in ³	.2742 02
Drawn:	Ray Gross
SD	2024.02.28
Template PTL	V10.2 24.01.10
Dia Tolerance	+.001/- .000
Length Tolerance	+.005/- .000
Angle Tolerance	+/- 15'
Use Reamer Blank	6 CM
Print is not to scale	

Uses standard 6.5 Creedmoor headspace gages.

This chamber is well suited to Lapua 69 gr Scenar & Scenar L, Nosler 77 gr custom Competition, Sierra 77 & 80 gr MK, Hornady 75 & 80 ELDM, Berger 73 Target BT, 80 VLD, 80.5 Fullbore, 82 target BT, and other similar bullets. Berger 85.5 and 90 VLD and Hornady 88 and 90 Atips could use .040 - .060 longer free bore to keep them seated forward of neck/shoulder junction. Lighter bullets, 55 gr and up, should pose no problem as they can be seated out. Hunting bullets often have longer bearing surface lengths for the same weight class bullet and if so, may require seating below the neck/shoulder junction.

Reamers dated prior to June 2023 have .080 freebore. Revised print to new Hornady/SAAMI standard freebore length of .0811 6/8/2023, also changed n/s radius to .125 from .120, no other changes

vrfd SAAMI 2023 24.02.28rg



22 Creedmoor

22 Creedmoor